



REPLY TO
ATTENTION OF

DEPARTMENT OF THE ARMY
THE INSTITUTE OF HERALDRY
8325 GUNSTON ROAD, ROOM S112
FORT BELVOIR, VIRGINIA 22060-5579

AAHS-IHS (840-10a)

OCT 30 2014

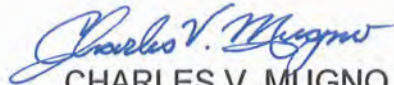
MEMORANDUM FOR Commander, 1st Battalion, 26th Infantry Regiment, ATTN: CPT Bettinger, 7077 Stands Alone Avenue, Fort Campbell, KY 42223

SUBJECT: Background Trimming for the 1st Battalion, 26th Infantry Regiment

1. An error was found in the design of your background trimming. Our Technical and Production Division has informed us that the notch at the center line cannot go through the overedge stitching – the outside border. Therefore, it was necessary to correct the drawings. Please replace the previous drawings sent with those we have enclosed: manufacturing drawing (encl 1) and color print and black and white line drawing (encl 2). The authorization letter does not need to be amended for this change.

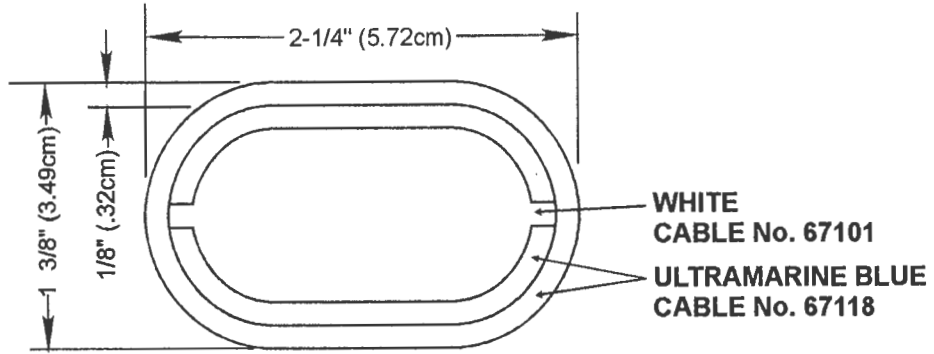
2. POC this Institute is Mrs. Henning by telephone at DSN 656-4972, Commercial (703) 806-4972 or by email at Bonnie.Henning@us.army.mil.

2 Encls
as


CHARLES V. MUGNO
Director

REVISIONS


LTR	DESCRIPTION	DATE	APPROVED
-----	-------------	------	----------



DESIGNED FOR OVEREDGE STITCHING

UNLESS OTHERWISE SPECIFIED DIMENSIONS ARE IN INCHES TOLERANCES ON FRACTIONS DECIMALS ANGLES

MATERIALS:
TO BE MANUFACTURED IN ACCORDANCE WITH MIL-DTL-14652

EXAMINED	<i>TLC</i>	
CHECKED	<i>CA</i>	<i>SAO</i>
PREPARED	<i>CLH</i>	
APPROVED	 CHARLES V. MUGNO DIRECTOR	

THE INSTITUTE OF HERALDRY, DEPARTMENT OF THE ARMY
 9325 GUNSTON RD, RM S-113 FORT BELVOIR, VA 22060-5579

BACKGROUND TRIMMING FOR
1ST BN. 26TH INFANTRY REGT.

SIZE	CONTROL IDENT. NO	A-6-322
A	22571	

SCALE FULL DATE 15 OCTOBER 2014



**BACKGROUND TRIMMING FOR
1ST BATTALION, 26TH INFANTRY REGIMENT**

Encl 2